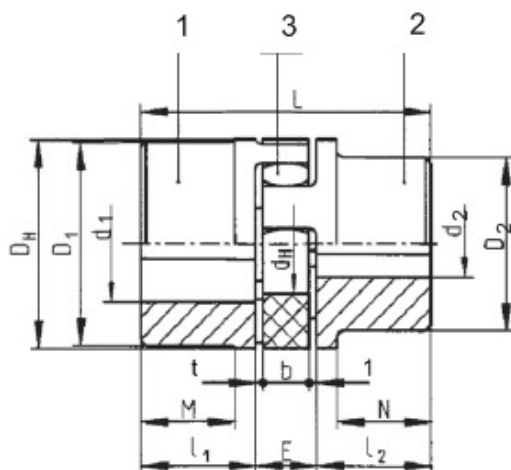


RGE Series



Size	Finish Bore d1, d2		Dimensions										
Common	d1 (min-max)	d2 (min-max)	L	L1, L2	E	b	t	D	D1	D2	M, N	d3	
RGE-19	6-19	19-24	66	25	16	12	2	41	32	41	20	18	
RGE-24	9-24	22-28	78	30	18	14	2	56	40	56	24	27	
RGE-28	10-28	28-38	90	35	20	15	2.5	66	48	66	28	30	
RGE-38	12-38	38-45	114	45	24	18	3	80	66	78	37	38	
RGE-42	14-42	42-55	126	50	26	20	3	95	75	94	40	46	
RGE-48	15-48	48-60	140	56	28	21	3.5	105	85	104	45	51	
RGE-55	20-55	55-70	160	65	30	22	4	120	98	118	52	60	
RGE-65	22-65	65-80	185	75	35	26	4.5	135	115	135	61	68	
RGE-75	30-75	75-95	210	85	40	30	5	160	135	160	69	80	
RGE-90	40-90	90-110	245	100	45	34	5.5	200	160	200	81	100	

נציגה בלעדית בישראל

RENOLD

Superior Chain Technology